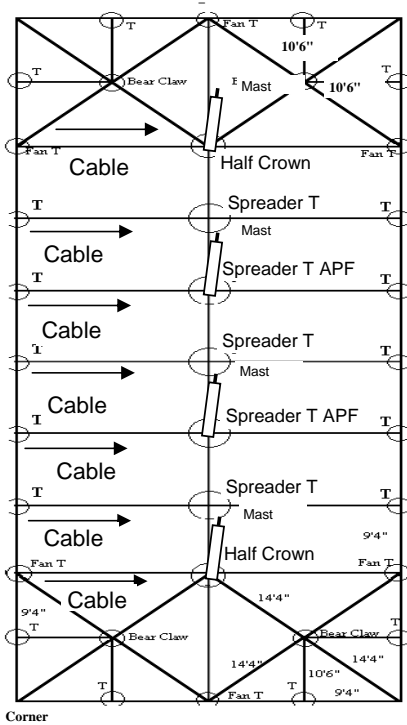


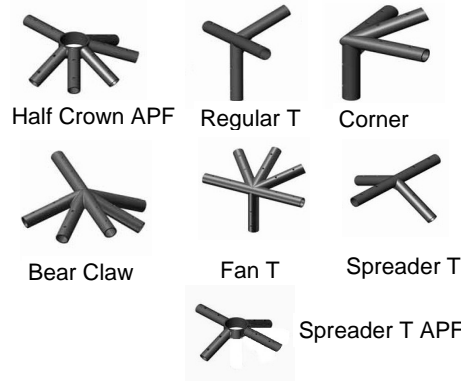
All Seasons Tent Sales

40 x 100 All Peak Frame Tent Set Up Instructions



Pipe			
QTY	SIZE	COLOR	Style
4	7'		Mast
16	21'10"	Orange	Rafter
16	14'4"	Red	Hip Rafter
8	10'6"	Green	Corner Rafter
34	9'4"	White	Spreader
28	7'8"	Black	Legs

Components	
QTY	Style
2	Half Crowns APF
4	Regular Corners
18	Regular T's
3	Spreader T
2	Spreader T APF
4	Bear Claws
6	Fan T
28	Ratchets
28	Baseplates
28	Weights / Stakes
180	Tent Pins
7	Spreader Cables
Optional Items	
1	Brace Package



Pre-Site Inspection- Call your local utility companies prior to installation for any underground obstructions.

1. Layout the frame parts in the estimated location pertaining to the diagram. The spreader pipe is placed out to form the perimeter, and the rafters are laid in the interior location.
2. Start with one of the Half Crowns. Attach the poles (21'10" orange) to the Half Crown at points 1, 3, & 5 by sliding the pole over the fitting and lining up the holes in the pole with those in the fitting. Place a pin in the first hole to secure the pole in place.
3. Attach the hip rafter (14'4" red) to the remaining points of the Half Crown using the same technique as in step 2.
4. Attach a spreader (9'4" white) to the Half Crown, and connect it to the Spreader T. Attach another spreader (9'4" white) from the Spreader T to the second Spreader T and repeat for a total of 5 Spreader T's. The last Spreader T will connect to the second Half Crown. Attach rafters (21'10" orange) to the Spreader T's. Repeat steps 2 & 3. Drop in the masts in the half crowns and spreader t's. Do not pin yet.
5. Attach the Bear Claw fitting to the 4 hip poles (14'4" red) by sliding the pole over the fitting. Line up the hole of the pole with those of the fitting and place a pin. Attach hip rafters (14'4" red) to the Bear Claw fitting at points 1, 3, and 5.
6. Attach corner poles (10'6" green) to the Bear Claw fitting at points 2 and 4.
7. Attach the corner fitting to the hip rafter (point 3 only) by sliding the pole over the fitting. Line up the hole of the pole with those of the fitting and place a pin. Attach the Fan T's to the rafters (21'10" orange) and to the hip rafters (points 1 & 5).

8. Join the Regular T fittings to the corner poles (10'6" green) by sliding the pole over the fitting. Line up the hole of the pole with those of the fittings and place a pin.

9. The perimeter is ready for assembly. Connect the Regular T's to the corners and Fan T's using the spreaders (9'4" white). Slide the poles over the fittings, line up the holes, and pin the pole and fitting together. Attach the 7 cables along the 100ft side. 5 along the center regular T's, And 2 near the Fan T's. Slide cable over the perimeter White 9'4" before pinning the pipe to the fittings. **NOTE - Failure to attach cable could cause tent to collapse when raising.**

When all of the spreaders have been secured in place, the frame will be complete.

NOTE . The tent top now needs to be laced together. It is best to do this on the ground along the length of the frame if space permits. The tent can be laced together while over the frame, but is more difficult and time consuming.

10. Lace the tent together: A) Line up the two crown patches in the middle of the tent section (the lace end will always be on the bottom). Starting in the middle and working out, B) Pull the first lace up through the first small grommet. C) Pull the second lace through the second grommet. D) Pull the second lace through the first lace's loop. E) Pull the third lace through third grommet. F) Pull the third lace through the second lace's loop.

Repeat steps B through F down the lace line of the tent until the third grommet from the edge of the tent is reached, the third lace should be twice as long as all of the other loops (referred to as double loop). When the tent is laced down to the third grommet (the double loop), pull the remaining 2 laces through the remaining 2 grommets. Loop the second lace from the tent perimeter into the first lace (the lace is now going towards the direction of the double loop). Pull the third lace (double loop) through the second loop. The third lace (double loop) should now be strung through 2 loops (the second loop and the fourth loop). Tie-off the double loop with the fourth lace so the loops can not come loose. Note: This does not in anyway affect the strength of the tent; it holds the tent sections together. A simple double knot is effective. After lacing each section, you will need to fasten down the rain flap that covers the lace line by clipping the spring clips onto the rain flap closer rope.

11. Place the tent top over the frame, by spreading the tent out on the 60' end and flapping the tent top while pulling it over the top. This, flapping, will make it easier to go over the frame and prevents any snags.

12. Secure the tent top to the frame by fastening the straps on the inside of the tent at each corner location.

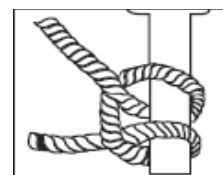
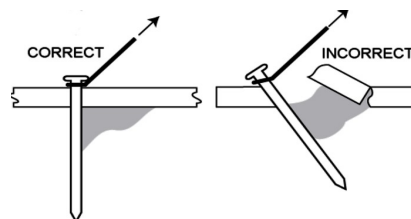
13. Start at one corner and manually lift the frame so that the leg (7'8" black) can slide over the corner fitting. Pin the leg to the fitting. (When raising the tent, raise INTO the wind)

14. Proceed to work your way around the tent putting one leg in at a time until all legs are standing and pinned. Put baseplate under legs and attach 1" ratchets from the "O" rings at the ends of the valance to the baseplates. Tighten loosely.

15. Now that the frame tent is erected, fasten the rest of tent top completely to the frame, using the straps on the inside of the tent. Make sure that all of the straps are 90% tight and that the tent top is sitting evenly over the frame. Push the mast up and pin accordingly. Finish straping the tent top to the fame getting the tent top tight. Evenly tighten the ratchets straps on the corners. Make sure the rope through the valance slides smoothly.

16. Drive a stake about four feet out from each leg and tie off the rope or ratchet to each leg.

Your tent installation is now complete.



This document was created with Win2PDF available at <http://www.win2pdf.com>.
The unregistered version of Win2PDF is for evaluation or non-commercial use only.
This page will not be added after purchasing Win2PDF.