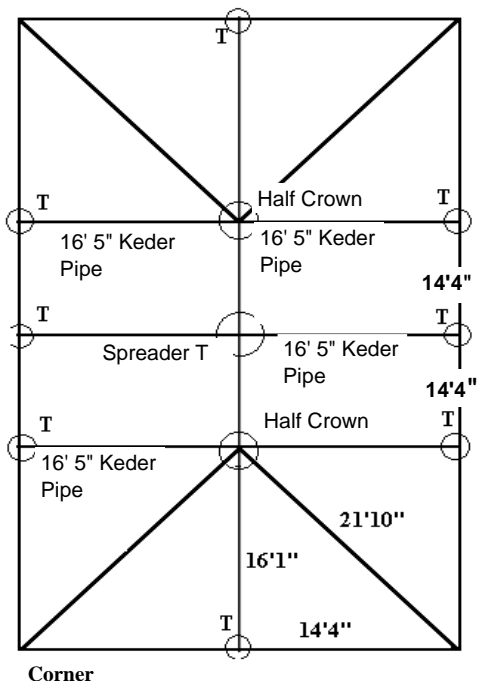


# Infinity Tent Sales

## 30 x 60 All Trac Frame Tent Set Up Instructions



Pipe			
QTY	SIZE	COLOR	Style
4	21' 10"	Orange	Hip Rafter
6	16' 5"	Brown	Keder
2	16' 1"	Brown	Rafter
14	14' 4"	Red	Spreader
12	7' 8"	Black	Legs

Components	
QTY	Style
2	Half Crown AT
4	Regular Corners
8	Regular T's
1	Spreader T-AT
12	Baseplates
12	Ratchets
64	Tent Pins
Optional Items	
1	Brace Package
12	Weights / Stakes
3	Spreader Cables



Half Crown AT



Regular T



Corner



Spreader T AT

Pre-Site Inspection- Call your local utility companies prior to installation for any underground obstructions.

1. Layout the frame parts in the estimated location pertaining to the diagram. The spreader pipe is placed out to form the perimeter, and the rafters are laid in the interior location.

2. Start with one of the Half Crowns. Attach the hip rafters (21' 10" orange) to the Half Crown at the second and fourth points by sliding the pole over the fitting and lining up the holes in the pole with those in the fitting. Place a pin in the first hole to secure the pole in place.

3. Attach the 2 Rafter poles (16' 1" brown) to points - three and the 16' 5" keder pipe to points one and five of the Half Crown using the same technique as in step 2.

4. Attach a spreader (14' 4" red) to the Half Crown, and connect it to the Spreader T. Connect another spreader (14' 4" red) to the second Half Crown from the Spreader T.

5. Attach the two remaining keder poles (16' 5" brown) to the Spreader T.

6. Connect the corner fittings to the hip rafter by sliding the pole over the fitting. Line up the hole of the pole with the first hole of the fitting and place a pin.

7. Join the regular t fittings to the poles by sliding the pole over the fitting. Line up the hole of the pole with the first hole of the fittings and place a pin.

8. The perimeter is ready for assembly. Connect the Regular T's to the corners using the spreaders (14'4" red) and connect the regular t's to the regular t's using the spreaders (14'4" red). Slide the poles over the fittings, line up the holes, and pin the pole and fitting together. When all of the spreaders have been secured in place, the frame will be complete.

9. Slide the keder on the tent through the keder pipe starting at the regular t going up through the Half Crown, then come back down the other side. Then slide the middle tent top pieces through the middles. Repeat the step for the other end tent top section.

10. Secure the tent top to the frame by fastening the straps on the inside of the tent at each corner location.

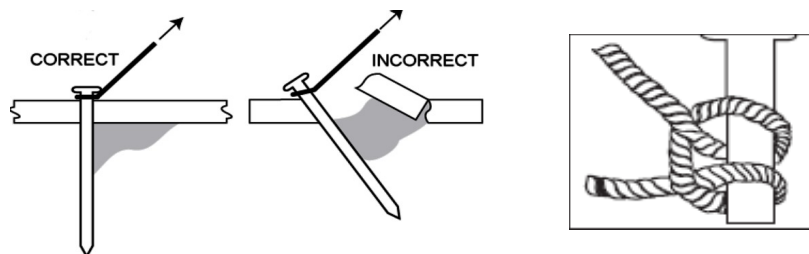
11. Start at one corner and manually lift the frame so that the leg (7'8" black) can slide over the corner fitting. Pin the leg to the fitting. ( When raising the tent, raise INTO the wind)

12. Proceed to work your way around the tent putting one leg in at a time until all legs are standing and pinned. Put baseplate under legs and attach 1" ratchets from the "O" rings at the ends of the valance to the baseplates. Tighten loosely.

13. Now that the frame tent is erected, fasten the rest of tent top completely to the frame, using the straps on the inside of the tent. Evenly tighten the ratchets straps on the corners. Make sure the rope through the valance slides smoothly. Make sure that all of the straps are tight and that the tent top is sitting evenly over the frame. Evenly tighten the ratchets straps on the corners. Make sure the rope through the valance slides smoothly.

14. Drive a stake about four feet out from each leg and tie off the rope or ratchet to each leg.

Your tent installation is now complete.



This document was created with Win2PDF available at <http://www.win2pdf.com>.  
The unregistered version of Win2PDF is for evaluation or non-commercial use only.  
This page will not be added after purchasing Win2PDF.